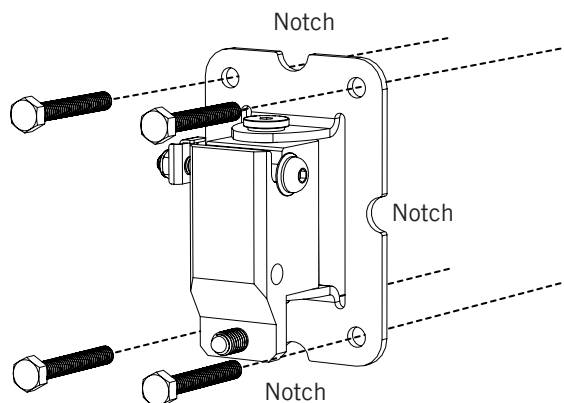
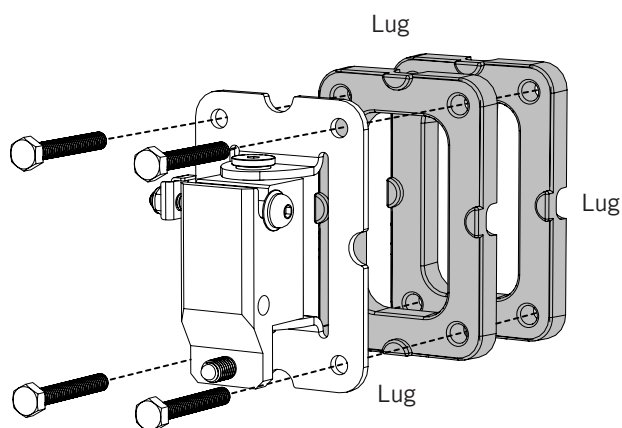


SP10/12

PAIR OF WALL SPACERS FOR WB10/12

Features

- Optional accessory kit containing a pair of wall spacers for the WB10/12 wall bracket
- Allows you to increase the maximum tilt and pan angle of the speaker
- Fit one or two spacers behind each bracket, as required
- Each spacer is 10 mm (0.4 in) thick
- Available in black (SP10/12-B) or white (SP10/12-W)
- Shown below along with the wall section of the wall bracket
- Compatible with the latest version of this wall bracket only. This version has four notches in the outer edge of the wall section (as shown below). Each spacer has four lugs on the front that fit into the notches in the bracket and four notches on the back that fit to the lugs on the second spacer
- Not compatible with the previous version of this wall bracket, which does not have notches



Contents

- 2 x SP10/12 spacers

Technical Specifications

MATERIAL	Plastic
----------	---------